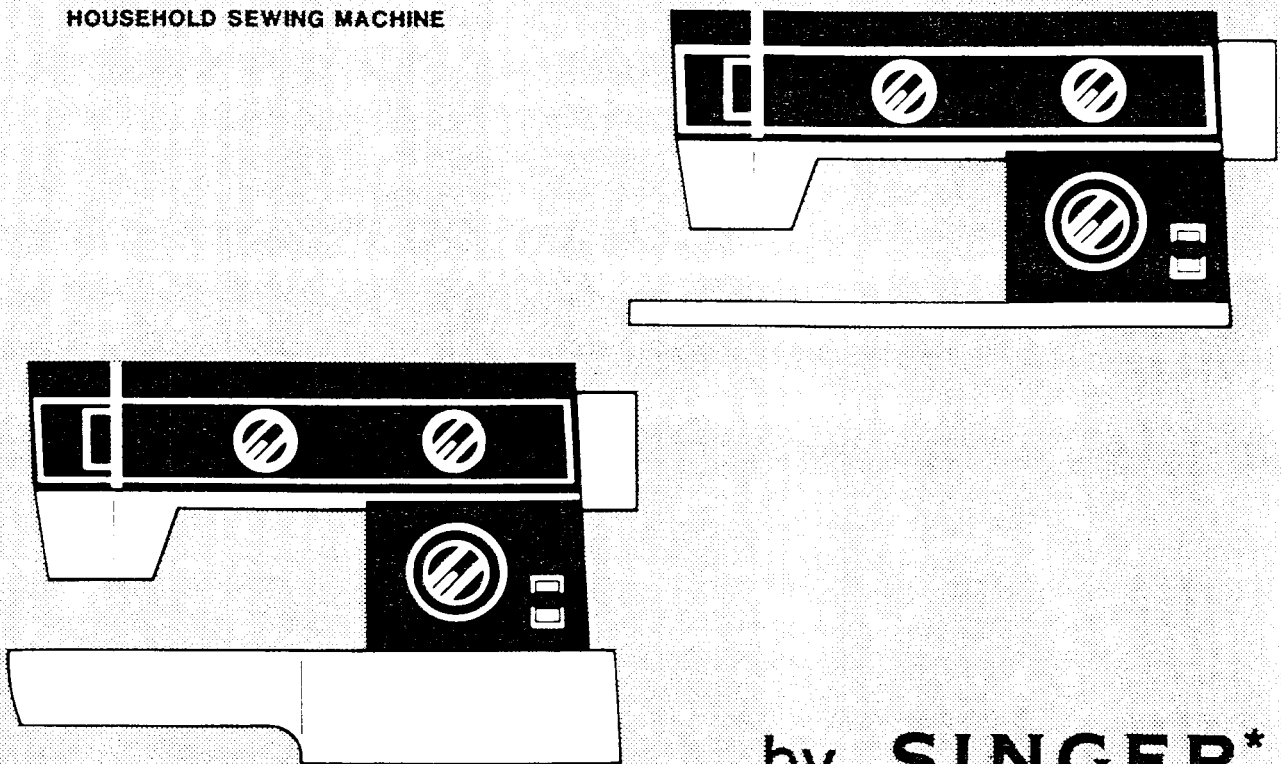


# LIST OF PARTS

## Series 4000

HOUSEHOLD SEWING MACHINE



by **SINGER**\*

From the library of: Diamond Needle Corp



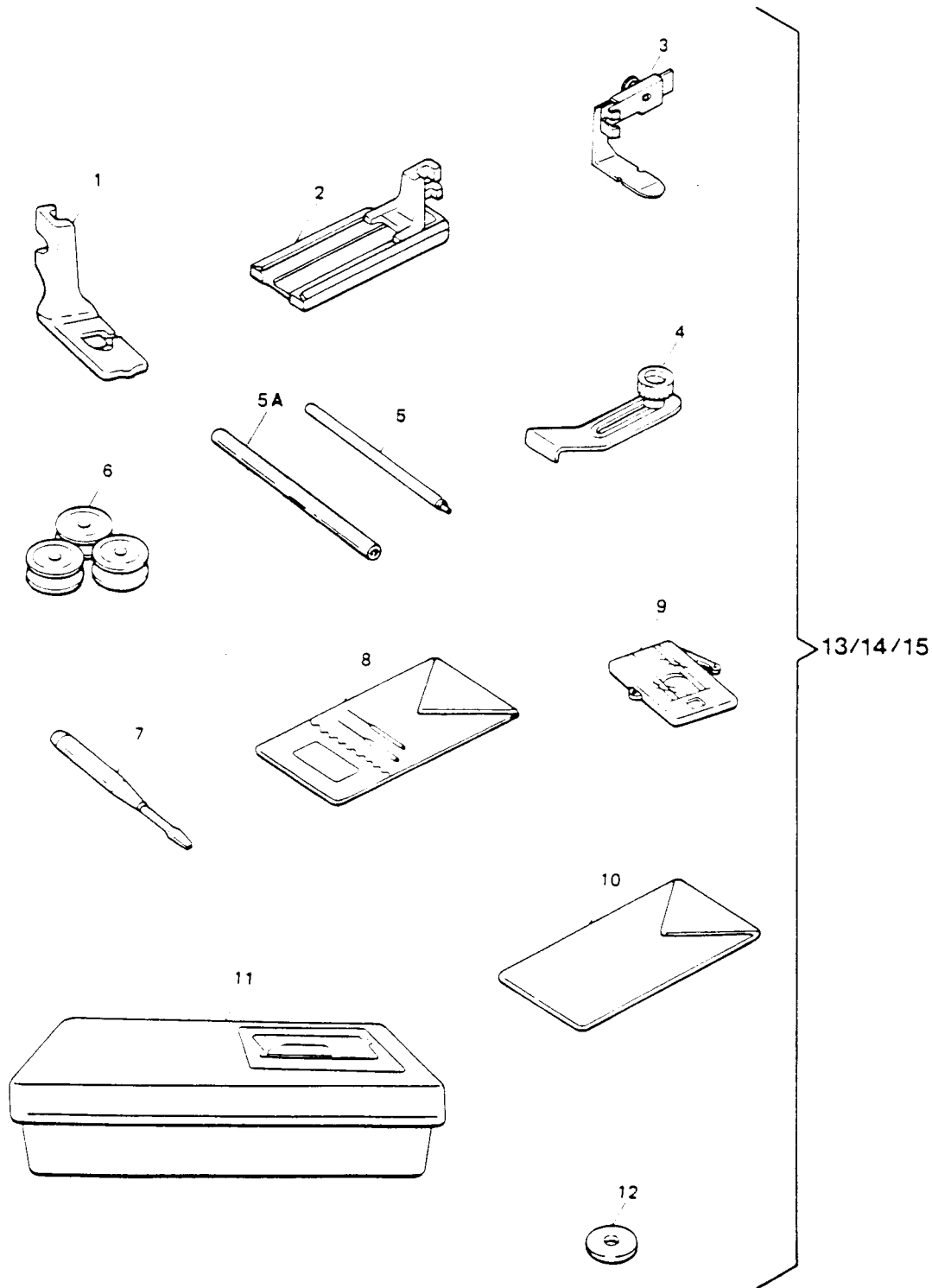
A Publication of Product Support  
International Group Engineering

Part No. 119671-001

# INDEX

PAGE NO.	SUBASSEMBLY
1, 2	ATTACHMENT SET
3-6	COVERS AND ADD ONS (A)
7, 8	COVERS AND ADD ONS (B)
9, 10	SHUTTLE MECHANISM
11, 12	ARMSHAFT, HANDWHEEL
13, 14	TENSION MECHANISM
15, 16	HEAD END MODULE
17, 18	FEED MECHANISM (A)
19, 20	FEED MECHANISM (B)
21, 22	FEED MECHANISM (C)
23, 24	FEED MECHANISM (D)
25, 26	CAM CONTROL MECHANISM (A)
27, 28	CAM CONTROL MECHANISM (B)
29, 30	CAM CONTROL MECHANISM (C)
31-34	ELECTRICAL EQUIPMENT
35, 36	OPTIONAL PARTS

# ATTACHMENT SET



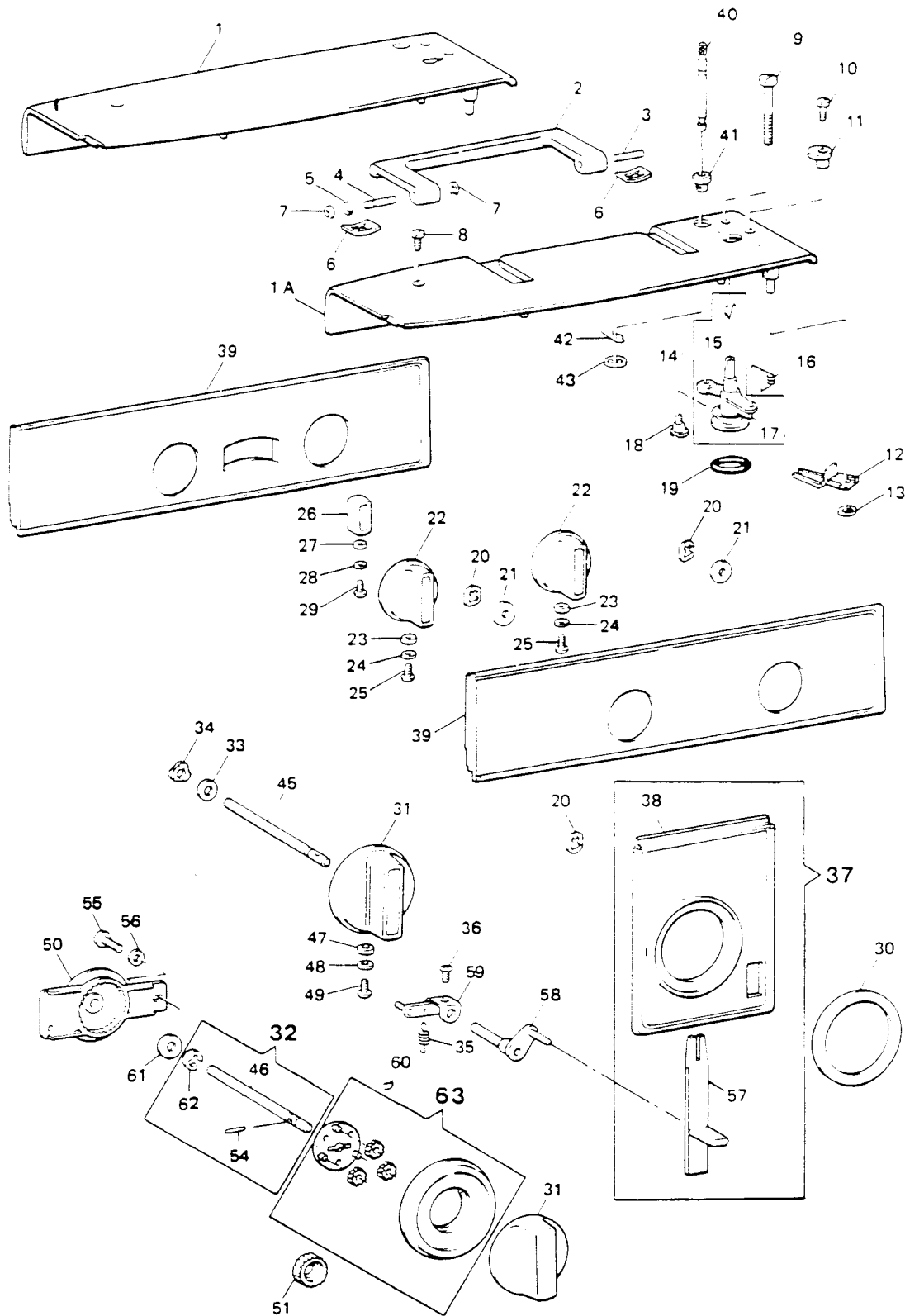
From the library of: Diamond Needle Corp



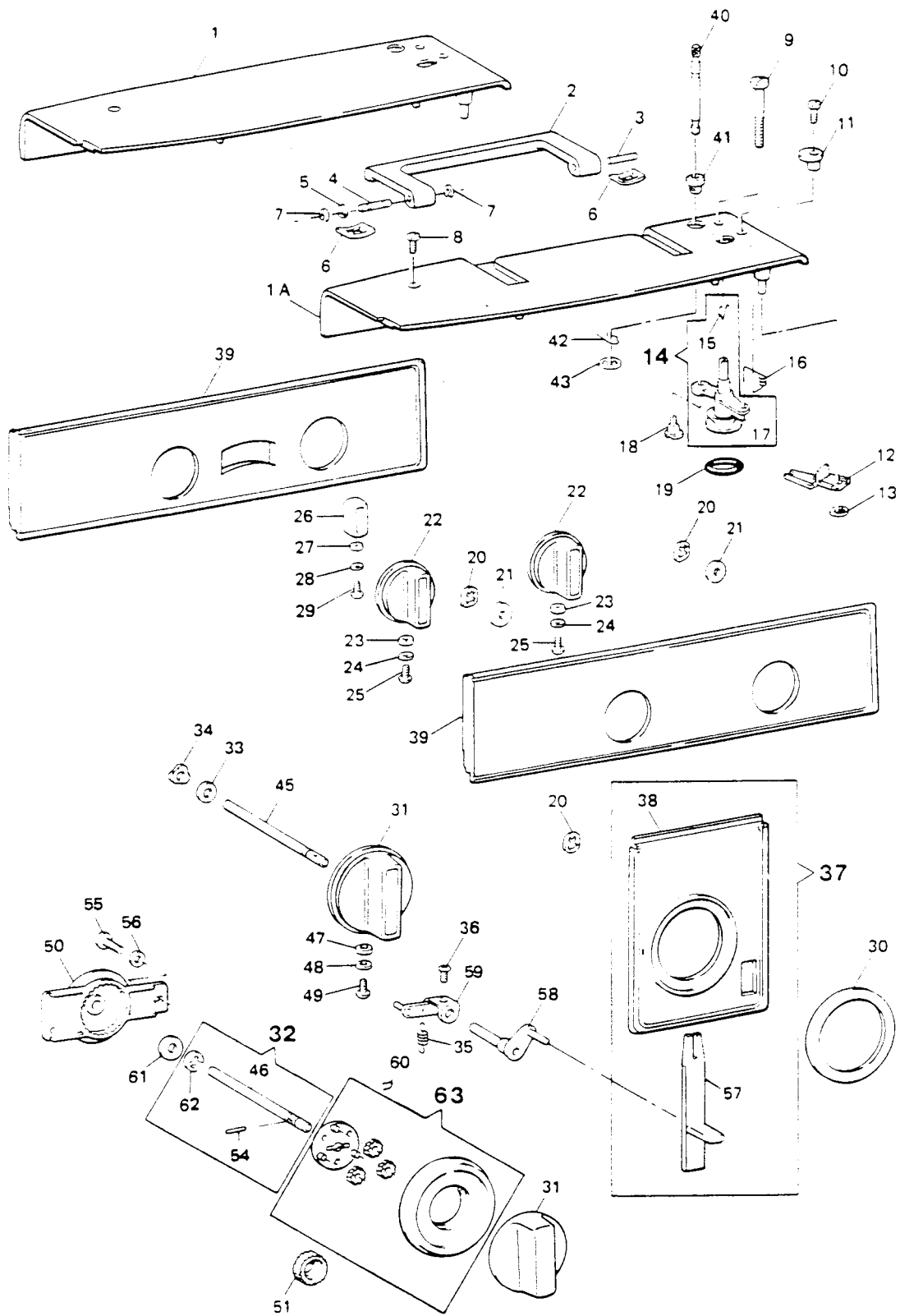
REF	PART NO.	COVERS AND ADD ONS (A) DESCRIPTION	4	4	4	4	4	4	4	4	4	4	
			0	0	0	0	0	0	0	0	0	0	0
			0	0	0	0	1	1	1	1	1	1	2
			1	5	6	9	2	1	5	6	9	2	
1	171877	Arm top cover (Standard)	X	X	X	X	X	X	X	X	X	X	
1	171876	Arm top cover with handle	X	X	X	X	X	X	X	X	X	X	
1A	177224	Arm top cover	X	X	X	X	X	X	X	X	X	X	
2	177225	Handle	X	X	X	X	X	X	X	X	X	X	
3	177115	Handle Pin	X	X	X	X	X	X	X	X	X	X	
4	177226	Handle Pin	X	X	X	X	X	X	X	X	X	X	
5	177116	Spring washer	X	X	X	X	X	X	X	X	X	X	
6	177117	Retainer (2)	X	X	X	X	X	X	X	X	X	X	
7	177227	Retaining Ring	X	X	X	X	X	X	X	X	X	X	
8	177385	Arm top cover screw (L)	X	X	X	X	X	X	X	X	X	X	
9	177386	Arm top cover screw (R)	X	X	X	X	X	X	X	X	X	X	
10	177388	Bobbin presser screw	X	X	X	X	X	X	X	X	X	X	
11	176659	Bobbin presser	X	X	X	X	X	X	X	X	X	X	
12	176660	Oil through	X	X	X	X	X	X	X	X	X	X	
13	176661	Oil through retaining ring	X	X	X	X	X	X	X	X	X	X	
14	176662	Bobbin winder complete	X	X	X	X	X	X	X	X	X	X	
15	176663	Bobbin winder shaft ring	X	X	X	X	X	X	X	X	X	X	
16	176664	Bobbin winder mounting spring	X	X	X	X	X	X	X	X	X	X	
17	176665	Bobbin winder bracket assembly	X	X	X	X	X	X	X	X	X	X	
18	176666	Bobbin winder bracket stud screw	X	X	X	X	X	X	X	X	X	X	
19	176667	Bobbin winder bracket rubber ring	X	X	X	X	X	X	X	X	X	X	
20	176668	Control panel retaining washer (2)	X	X	X	X	X	X	X	X	X	X	
21	176669	Control panel washer (2)	X	X	X	X	X	X	X	X	X	X	
22	174568	Control dial (4001/4011) (2)	X				X						
22	174569	Control dial (4005/4015) (1)		X				X					
22	174570	Control dial (4006/4016) (2)			X				X				
22	174571	Control dial (4009/4019) (2)				X				X			
22	174572	Control dial (4012/4022) (2)					X				X		
23	176674	Control dial nylon washer	X	X	X	X	X	X	X	X	X	X	
24	176675	Control dial washer	X	X	X	X	X	X	X	X	X	X	
25	176676	Control dial set screw	X	X	X	X	X	X	X	X	X	X	
26	174573	Control knob (4001/4011)	X				X						
26	174574	Control knob (4005/4015)		X				X					
27	177235	Control dial nylon washer	X	X				X	X				
28	176680	Control knob washer	X	X				X	X				
29	176681	Control knob set screw	X	X				X	X				
30	174575	Selector dial indication ring (4005/4015)		X				X					
30	174576	Selector dial indication ring (4006/4016)			X				X				
30	174577	Selector dial indication ring (4009/4019)				X				X			
30	174578	Selector dial indication ring (4012/4022)					X				X		
31	174579	Pattern selector dial (4005/4015)		X				X					
31	174580	Pattern selector dial (4006/4016)			X				X				
31	174581	Pattern selector dial (4009/4019)				X				X			
31	174582	Pattern selector dial (4012/4022)					X				X		
32	177244	Pattern selector dial shaft assembly					X				X		

From the library of: Diamond Needle Corp

# COVERS AND ADD ONS (A)



# COVERS AND ADD ONS (A) (CONT.)



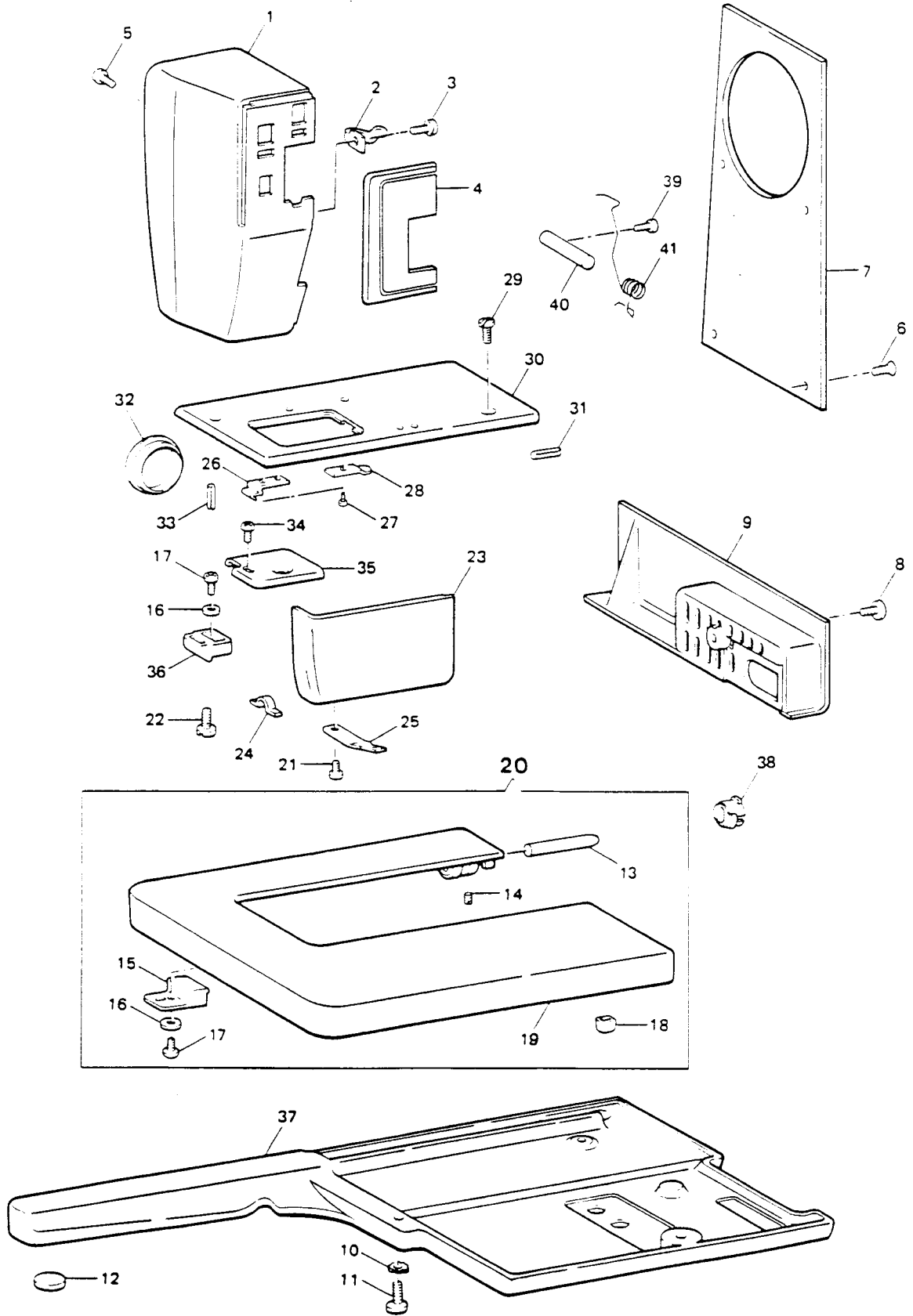
REF	PART NO.	COVERS AND ADD ONS (A) (CONT.) DESCRIPTION	4	4	4	4	4	4	4	4	4	
			0	0	0	0	0	0	0	0	0	0
			0	0	0	0	1	1	1	1	1	2
			1	5	6	9	2	1	5	6	9	2
33	176691	Pattern selector dial shaft washer		X					X			
34	176692	Pattern selector dial shaft retaining ring					X					X
35	176693	Feed regulating lever bracket spring	X	X	X	X	X	X	X	X	X	X
36	176695	Feed regulating bracket set screw	X	X	X	X	X	X	X	X	X	X
37	174587	Arm panel assembly	X					X				
37	174583	Arm panel assembly		X					X			
37	174584	Arm panel assembly			X					X		
37	174585	Arm panel assembly				X					X	
37	174586	Arm panel assembly					X					X
38	174592	Arm panel	X					X				
38	174588	Arm panel		X					X			
38	174589	Arm panel			X					X		
38	174590	Arm panel				X					X	
38	174591	Arm panel					X					X
39	174593	Control panel 4011						X				
39	174594	Control panel 4015							X			
39	174595	Control panel 4016								X		
39	174596	Control panel 4019									X	
39	174597	Control panel 4022										X
40	177286	Spool pin	X	X	X	X	X	X	X	X	X	X
41	177287	Spool pin stand	X	X	X	X	X	X	X	X	X	X
42	177288	Spool pin spring	X	X	X	X	X	X	X	X	X	X
43	177289	Stop ring	X	X	X	X	X	X	X	X	X	X
45	177291	Pattern selector dial shaft		X	X	X			X	X	X	
46	177292	Pattern selector dial shaft					X					X
47	177293	Pattern selector dial shaft nylon washer	X	X	X				X	X	X	
48	177294	Pattern selector dial shaft washer	X	X	X	X			X	X	X	X
49	177295	Pattern selector dial shaft set screw	X	X	X	X			X	X	X	X
50	177296	Wheel						X				X
51	177297	Drive gear						X				X
54	177300	Spring pin						X				X
55	177301	Screw						X				X
56	177302	Washer						X				X
57	174599	Feed regulating slide plate	X						X			
57	174600	Feed regulating slide plate		X						X		
57	173898	Feed regulating slide plate			X						X	
57	174598	Feed regulating slide plate				X						X
57	173899	Feed regulating slide plate					X					X
58	177381	Feed regulating lever assembly	X	X	X	X	X	X	X	X	X	X
59	177382	Feed regulating lever arm assembly	X	X	X	X	X	X	X	X	X	X
60	177310	Spring						X				X
61	177311	Washer						X				X
62	177312	Retaining ring		X	X	X	X		X	X	X	X
63	173900	Plate assembly						X				X



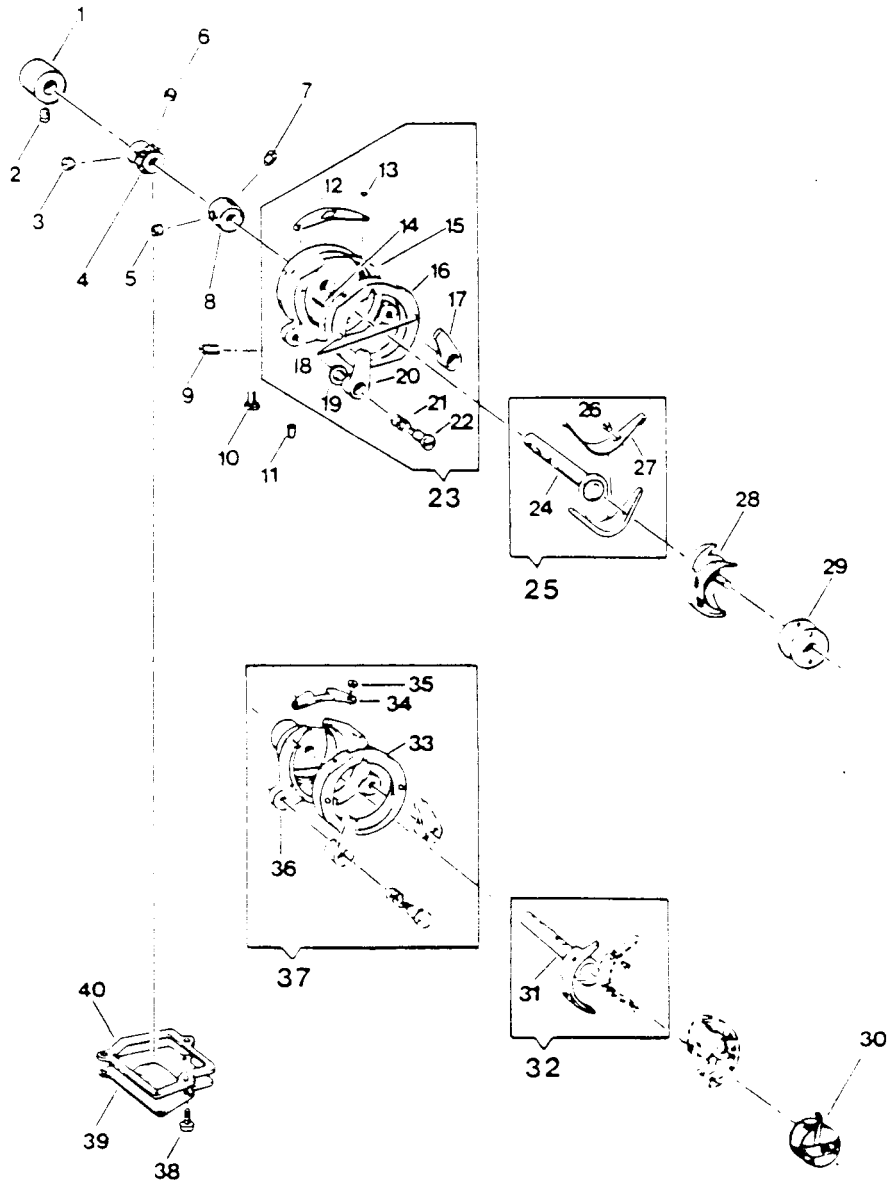
REF	PART NO.	COVERS AND ADD ONS (B) DESCRIPTION	4	4	4	4	4	4	4	4	4	4	
			0	0	0	0	0	0	0	0	0	0	0
			0	0	0	0	1	1	1	1	1	2	
			1	5	6	9	2	1	5	6	9	2	
1	177313	Face plate (with locking) Europe	X	X	X	X	X	X	X	X	X	X	
1	177314	Face plate (with locking) UL/CSA	X	X	X	X	X	X	X	X	X	X	
2	176716	Face plate hinge spring	X	X	X	X	X	X	X	X	X	X	
3	176717	Face plate hinge spring screw	X	X	X	X	X	X	X	X	X	X	
4	177391	Face plate panel (4001/4011)	X				X						
4	177392	Face plate panel (4005/4015)		X				X					
4	177393	Face plate panel (4006/4016)			X				X				
4	177394	Face plate panel (4009/4019)				X				X			
4	177395	Face plate panel (4012/4022)					X					X	
5	177320	Face plate locking screw	X	X	X	X	X	X	X	X	X	X	
6	177321	Arm end cover plate mounting screw (4)	X	X	X	X	X	X	X	X	X	X	
7	177322	Arm end cover plate	X	X	X	X	X	X	X	X	X	X	
8	176729	Motor cover plate mounting screw						X	X	X	X	X	
9	177323	Motor cover plate						X	X	X	X	X	
10	176731	Star washer (3)						X	X	X	X	X	
11	176732	Screw (3)						X	X	X	X	X	
12	176733	Rubber cushion for base plate (4)						X	X	X	X	X	
13	176734	Guide pin (2)						X	X	X	X	X	
14	176735	Guide pin set screw (2)						X	X	X	X	X	
15	176756	Latch holder						X	X	X	X	X	
16	176743	Washer						X	X	X	X	X	
17	176688	Latch screw						X	X	X	X	X	
18	176738	Rubber cushion (2)						X	X	X	X	X	
19	177324	Accessory table						X	X	X	X	X	
20	177383	Accessory table complete						X	X	X	X	X	
21	171859	Hinged door spring set screw						X	X	X	X	X	
22	176742	Screw (2) (head hinge)	X	X	X	X	X						
23	176744	Hinged door						X	X	X	X	X	
24	176745	Hinged plate						X	X	X	X	X	
25	176746	Hinged door spring						X	X	X	X	X	
26	176747	Needle plate spring (left)						X	X	X	X	X	
27	176748	Needle plate spring set screw (2)						X	X	X	X	X	
28	176749	Needle plate spring (right)						X	X	X	X	X	
29	177387	Upper plate mounting screw (2)						X	X	X	X	X	
30	176751	Upper plate						X	X	X	X	X	
31	176752	Spring pin	X	X	X	X	X	X	X	X	X	X	
32	176753	Cover plug (large)						X	X	X	X	X	
33	176754	Spring pin						X	X	X	X	X	
34	176717	Bevel gear cover mounting screw						X	X	X	X	X	
35	176755	Bevel gear cover						X	X	X	X	X	
36	176736	Accessory table latch						X	X	X	X	X	
37	171851	Base plate						X	X	X	X	X	
38	177325	Latch holder						X	X	X	X	X	
39	176725	Stud set screw	X					X					
40	176726	Spring holder stud	X					X					
41	176727	Spring	X	X	X	X	X	X	X	X	X	X	

From the library of: Diamond Needle Corp

# COVERS AND ADD ONS (B)



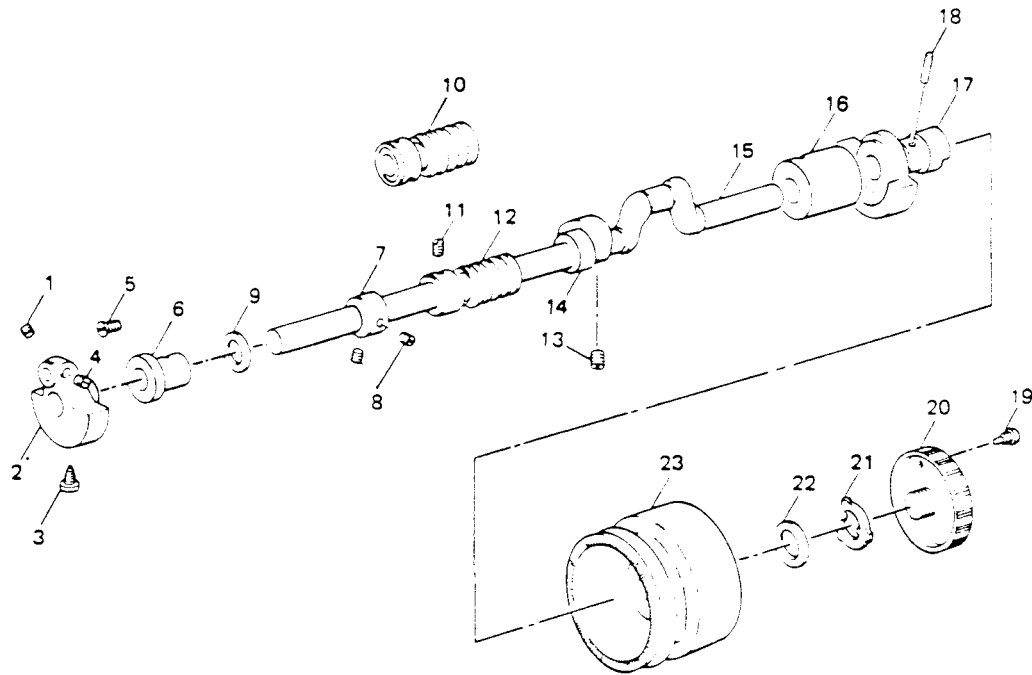
# SHUTTLE MECHANISM



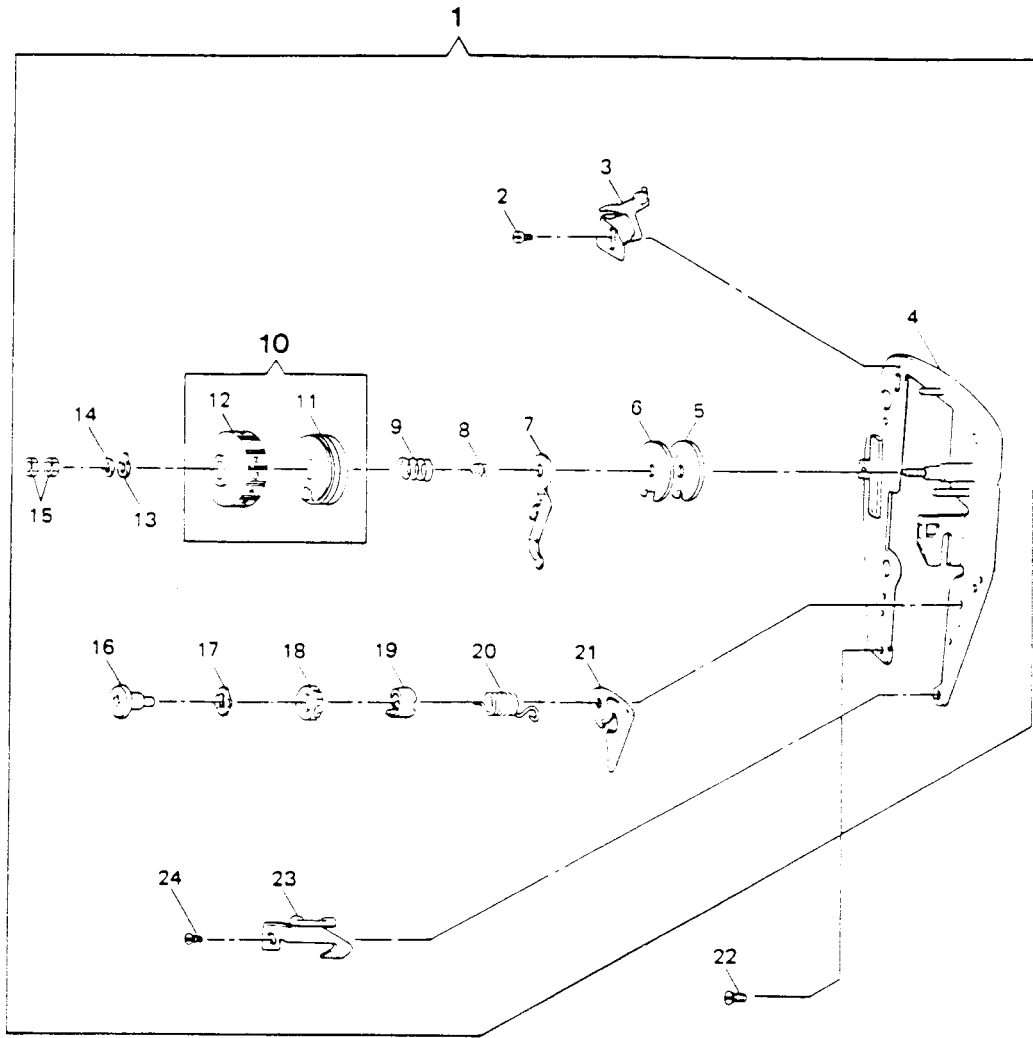


REF	PART NO.	ARMSHAFT, HANDWHEEL DESCRIPTION	4	4	4	4	4	4	4	4	4	4	4	
			0	0	0	0	0	0	0	0	0	0	0	0
			0	0	0	0	1	1	1	1	1	1	2	2
			1	5	6	9	2	1	5	6	9	2		
1	176796	Eccentric counterweight set screw	X	X	X	X	X	X	X	X	X	X		
2	176797	Eccentric counterweight					X	X	X	X	X	X		
2	176798	Eccentric counterweight	X	X	X	X	X							
3	176799	Eccentric counterweight screw	X	X	X	X	X	X	X	X	X	X		
4	176800	Eccentric counterweight set screw	X	X	X	X	X	X	X	X	X	X		
5	176801	Set screw (2)	X	X	X	X	X	X	X	X	X	X		
6	176802	Upper shaft bushing (left)	X	X	X	X	X	X	X	X	X	X		
7	176803	Collar	X	X	X	X	X	X	X	X	X	X		
8	176763	Collar set screw (2)	X	X	X	X	X	X	X	X	X	X		
9	171858	Nylon washer	X	X	X	X	X	X	X	X	X	X		
10	176804	Spiral gear	X				X							
11	176806	Gear set screw (2)	X				X							
11	176805	Gear set screw (2)		X	X	X	X		X	X	X	X		
12	176807	Worm gear		X	X	X	X		X	X	X	X		
13	176808	Feed cam set screw	X	X	X	X	X	X	X	X	X	X		
14	176809	Feed cam	X	X	X	X	X	X	X	X	X	X		
15	176810	Arm shaft					X	X	X	X	X	X		
15	176811	Arm shaft	X	X	X	X	X							
16	176812	Upper shaft bushing (right)	X	X	X	X	X	X	X	X	X	X		
17	176813	Handwheel bushing	X	X	X	X	X							
17	176814	Handwheel bushing					X	X	X	X	X	X		
18	176815	Handwheel bushing roll pin	X	X	X	X	X	X	X	X	X	X		
19	176816	Stop motion knob mounting screw	X	X	X	X	X	X	X	X	X	X		
20	177396	Stop motion knob assembly (4001/4011)	X				X							
20	177397	Stop motion knob assembly (4005/4015)		X				X						
20	177398	Stop motion knob assembly (4006/4016)			X				X					
20	177399	Stop motion knob assembly (4009/4019)				X				X				
20	177400	Stop motion knob assembly (4012/4022)					X					X		
21	176818	Stop motion knob screw washer	X	X	X	X	X	X	X	X	X	X		
22	176819	Stop motion knob washer	X	X	X	X	X	X	X	X	X	X		
23	176820	Handwheel	X	X	X	X	X	X	X	X	X	X		

# ARMSHAFT, HANDWHEEL



# TENSION MECHANISM



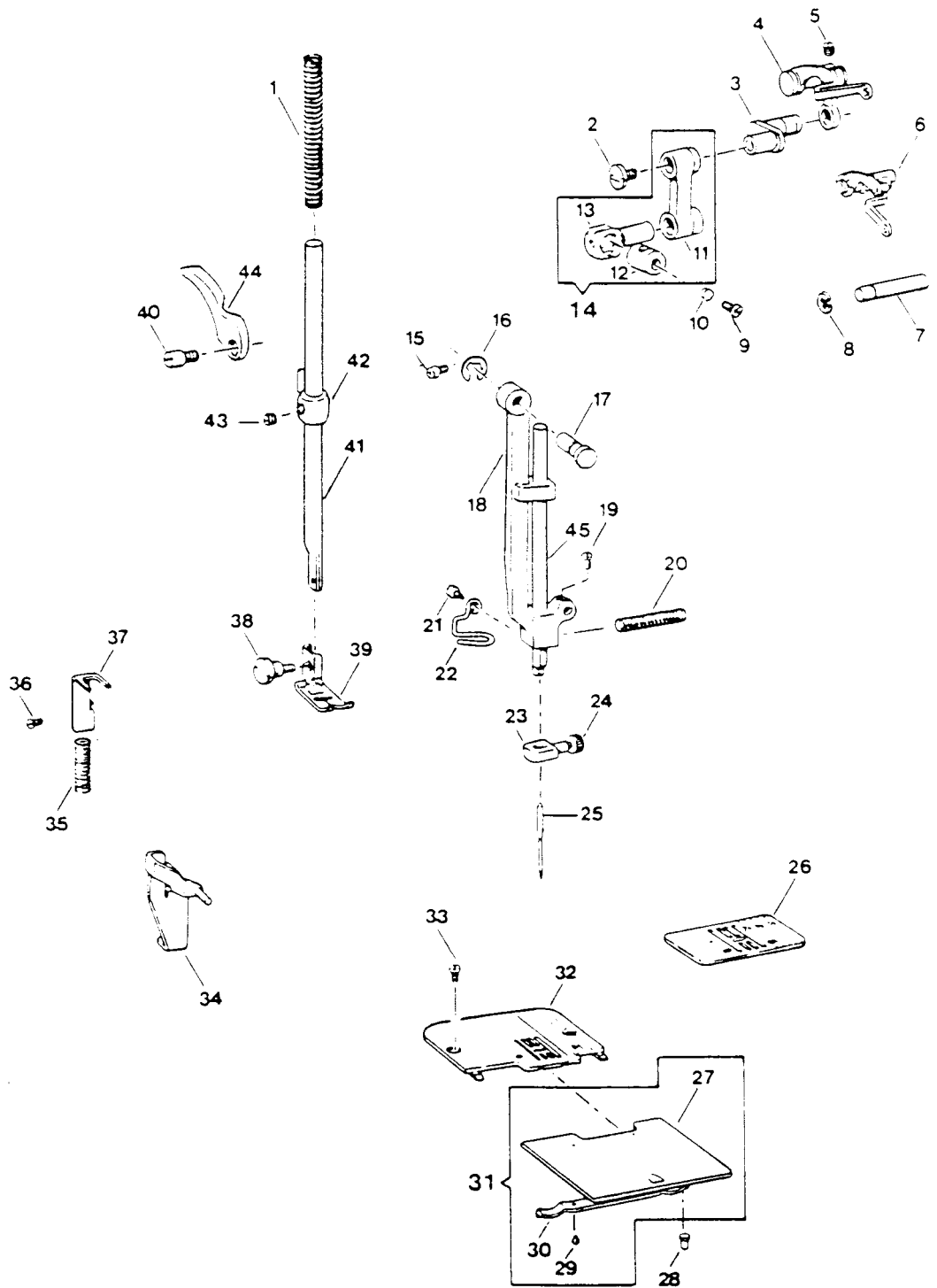




REF	PART NO.	DESCRIPTION	HEAD END MODULE									
			4	4	4	4	4	4	4	4	4	4
			0	0	0	0	0	0	0	0	0	0
			0	0	0	0	1	1	1	1	1	2
			1	5	6	9	2	1	5	6	9	2
1	176852	Presser bar spring	X	X	X	X	X	X	X	X	X	X
2	176853	Needle bar crank set screw	X	X	X	X	X	X	X	X	X	X
3	176854	Needle bar crank	X	X	X	X	X	X	X	X	X	X
4	176855	Thread take-up lever assembly	X	X	X	X	X	X	X	X	X	X
5	176766	Thread take-up lever set screw	X	X	X	X	X	X	X	X	X	X
6	176856	Thread take-up lever	X	X	X	X	X	X	X	X	X	X
7	176857	Shaft	X	X	X	X	X	X	X	X	X	X
8	176858	Retaining ring	X	X	X	X	X	X	X	X	X	X
9	176859	Needle bar crank set screw	X	X	X	X	X	X	X	X	X	X
10	176860	Metal plate	X	X	X	X	X	X	X	X	X	X
11	176861	Needle bar crank rod	X	X	X	X	X	X	X	X	X	X
12	176862	Needle bar clamp	X	X	X	X	X	X	X	X	X	X
13	176863	Needle bar clamp stud	X	X	X	X	X	X	X	X	X	X
14	176864	Needle bar crank rod assembly	X	X	X	X	X	X	X	X	X	X
15	177725	Needle bar clamp set screw	X	X	X	X	X	X	X	X	X	X
16	176689	Retaining ring	X	X	X	X	X	X	X	X	X	X
17	178865	Needle bar supporter stud	X	X	X	X	X	X	X	X	X	X
18	178866	Needle bar supporter	X	X	X	X	X	X	X	X	X	X
19	178867	Stud set screw	X	X	X	X	X	X	X	X	X	X
20	178868	Spring	X	X	X	X	X	X	X	X	X	X
21	178869	Thread guide mounting screw	X	X	X	X	X	X	X	X	X	X
22	178870	Needle bar thread guide	X	X	X	X	X	X	X	X	X	X
23	178871	Needle clamp screw	X	X	X	X	X	X	X	X	X	X
24	178872	Needle clamp	X	X	X	X	X	X	X	X	X	X
25	178873	Needle No. 14 (2045)	X	X	X	X	X	X	X	X	X	X
26	176874	Needle plate assembly (free arm)						X	X	X	X	X
27	176875	Slide plate	X	X	X	X	X					
28	176876	Vinyl plate	X	X	X	X	X					
29	176877	Slide plate spring screw	X	X	X	X	X					
30	176878	Slide plate spring	X	X	X	X	X					
31	176879	Slide plate assembly	X	X	X	X	X					
32	176880	Needle plate (flat bed)	X	X	X	X	X					
33	176881	Needle plate mounting screw (2)	X	X	X	X	X					
34	176882	Tension releaser	X	X	X	X	X	X	X	X	X	X
35	176883	Spring	X	X	X	X	X	X	X	X	X	X
36	176722	Spring bracket mounting screw	X	X	X	X	X	X	X	X	X	X
37	176884	Tension release spring bracket	X	X	X	X	X	X	X	X	X	X
38	176885	Thumb screw	X	X	X	X	X	X	X	X	X	X
39	176886	Presser foot assembly	X	X	X	X	X	X	X	X	X	X
40	176887	Presser foot lifter stud screw	X	X	X	X	X	X	X	X	X	X
41	176888	Presser bar	X	X	X	X	X	X	X	X	X	X
42	171896	Presser bar guide bracket	X	X	X	X	X	X	X	X	X	X
43	176890	Presser bar guide bracket set screw	X	X	X	X	X	X	X	X	X	X
44	177347	Presser foot lifter	X	X	X	X	X	X	X	X	X	X
45	171854	Needle bar	X	X	X	X	X	X	X	X	X	X

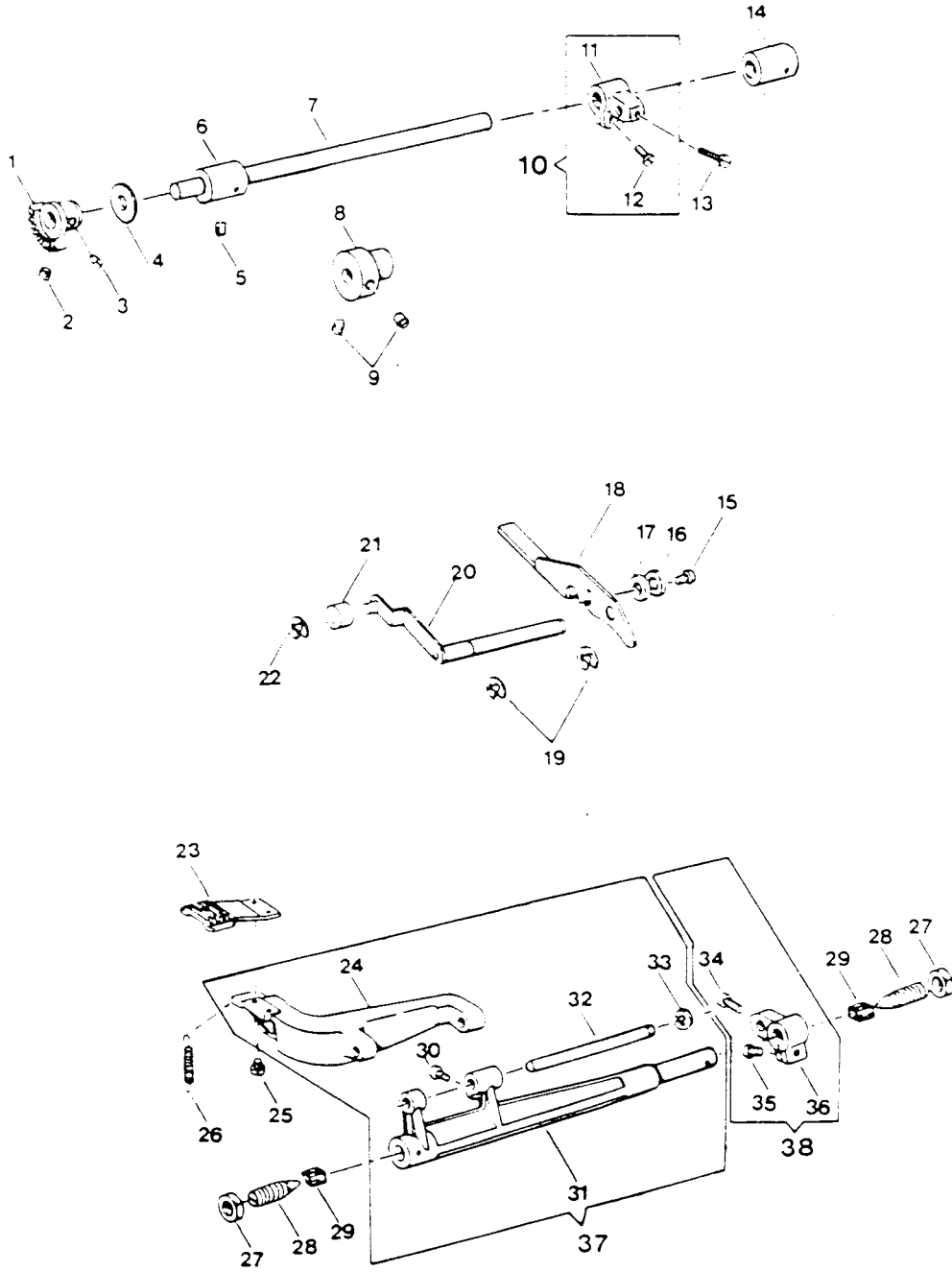
From the library of: Diamond Needle Corp

# HEAD END MODULE



From the library of: Diamond Needle Corp

# FEED MECHANISM (A)

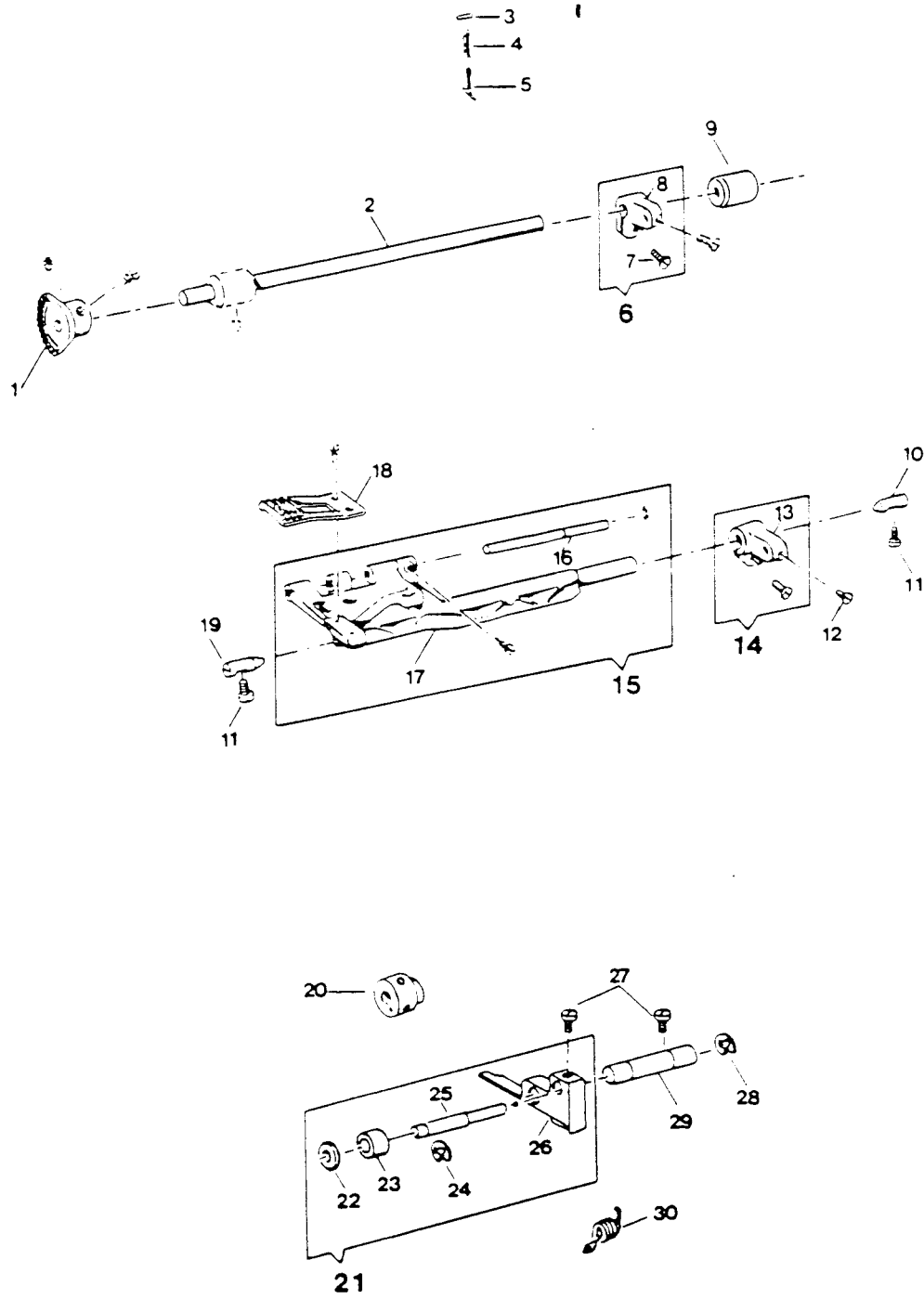


From the library of: Diamond Needle Corp

REF	PART NO.	DESCRIPTION	FEED MECHANISM (A)									
			4	4	4	4	4	4	4	4	4	4
			0	0	0	0	0	0	0	0	0	0
			0	0	0	0	1	1	1	1	1	2
			1	5	6	9	2	1	5	6	9	2
1	176892	Lower shaft bevel gear						X	X	X	X	X
1	176796	Lower shaft bevel gear	X	X	X	X	X					
2	176763	Lower shaft bevel gear set screw (small)	X	X	X	X	X	X	X	X	X	X
3	176893	Lower shaft bevel gear set screw (large)	X	X	X	X	X	X	X	X	X	X
4	176894	Lower shaft bushing (left) washer						X	X	X	X	X
5	176766	Lower shaft bushing (left) set screw	X	X	X	X	X	X	X	X	X	X
6	176895	Lower shaft bushing (left)	X	X	X	X	X	X	X	X	X	X
7	176896	Lower shaft	X	X	X	X	X					
8	176897	Vertical feed cam	X	X	X	X	X					
9	176800	Vertical feed cam set screw	X	X	X	X	X					
10	176898	Lower shaft crank	X	X	X	X	X					
11	176899	Lower shaft crank assembly	X	X	X	X	X					
12	176900	Lower shaft crank screw	X	X	X	X	X	X	X	X	X	X
13	176901	Lower shaft crank hinge shaft screw	X	X	X	X	X	X	X	X	X	X
14	176902	Lower shaft bushing (right)	X	X	X	X	X	X	X	X	X	X
15	176903	Vertical feed shaft set screw	X	X	X	X	X					
16	176904	Spring washer	X	X	X	X	X					
17	176905	Washer	X	X	X	X	X					
18	176906	Vertical feed lever	X	X	X	X	X					
19	176689	Vertical feed shaft retaining ring (2)	X	X	X	X	X	X	X	X	X	X
20	176907	Vertical feed shaft assembly	X	X	X	X	X					
21	176908	Vertical feed crank roller	X	X	X	X	X					
22	176909	Ring	X	X	X	X	X					
23	176910	Feed dog	X	X	X	X	X					
24	176911	Feed bar		X	X	X	X					
24	176912	Feed bar	X									
25	176913	Feed dog set screw (2)	X	X	X	X	X	X	X	X	X	X
26	176914	Rock shaft spring	X	X	X	X	X					
27	176915	Feed rock shaft center screw nut (2)	X	X	X	X	X					
28	176916	Feed rock shaft center screw (2)	X	X	X	X	X					
29	176917	Felt (2)	X	X	X	X	X					
30	176901	Feed bar hinge shaft set screw	X	X	X	X	X	X	X	X	X	X
31	176918	Horizontal feed rocking shaft	X	X	X	X	X					
31	176919	Horizontal feed rocking shaft						X	X	X	X	X
32	176920	Feed bar shaft	X	X	X	X	X					
33	176909	Feed bar hinge shaft retaining ring	X	X	X	X	X	X	X	X	X	X
34	176921	Horizontal feed shaft arm set screw (small)	X	X	X	X	X	X	X	X	X	X
35	176900	Horizontal feed shaft arm set screw (large)	X	X	X	X	X	X	X	X	X	X
36	176922	Horizontal feed shaft arm	X	X	X	X	X					
37	176923	Horizontal feed rocking shaft assembly		X	X	X	X					
37	176924	Horizontal feed rocking shaft assembly	X									
38	176925	Horizontal feed shaft arm assembly	X	X	X	X	X					

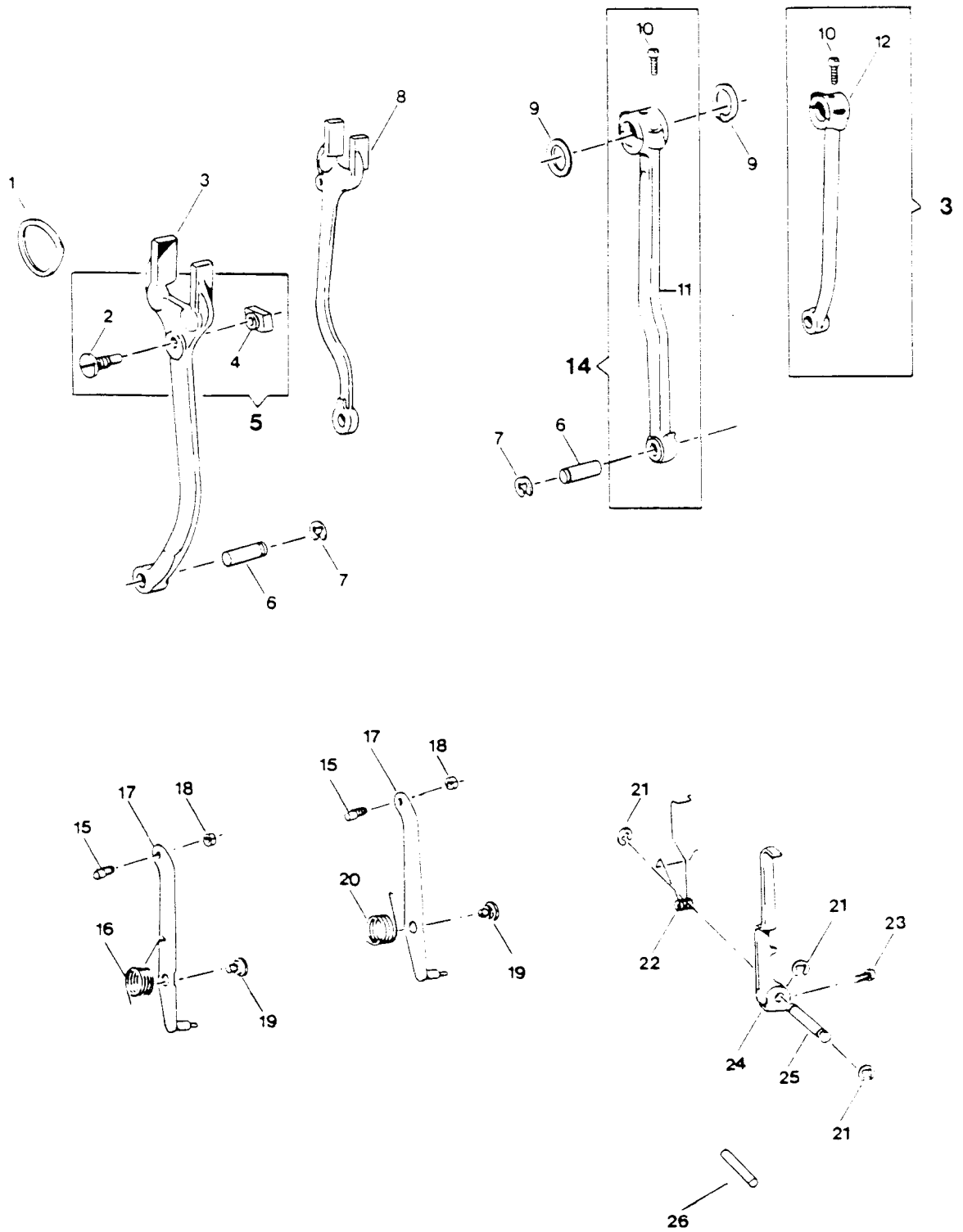


# FEED MECHANISM (B)



From the library of: Diamond Needle Corp.

# FEED MECHANISM (C)



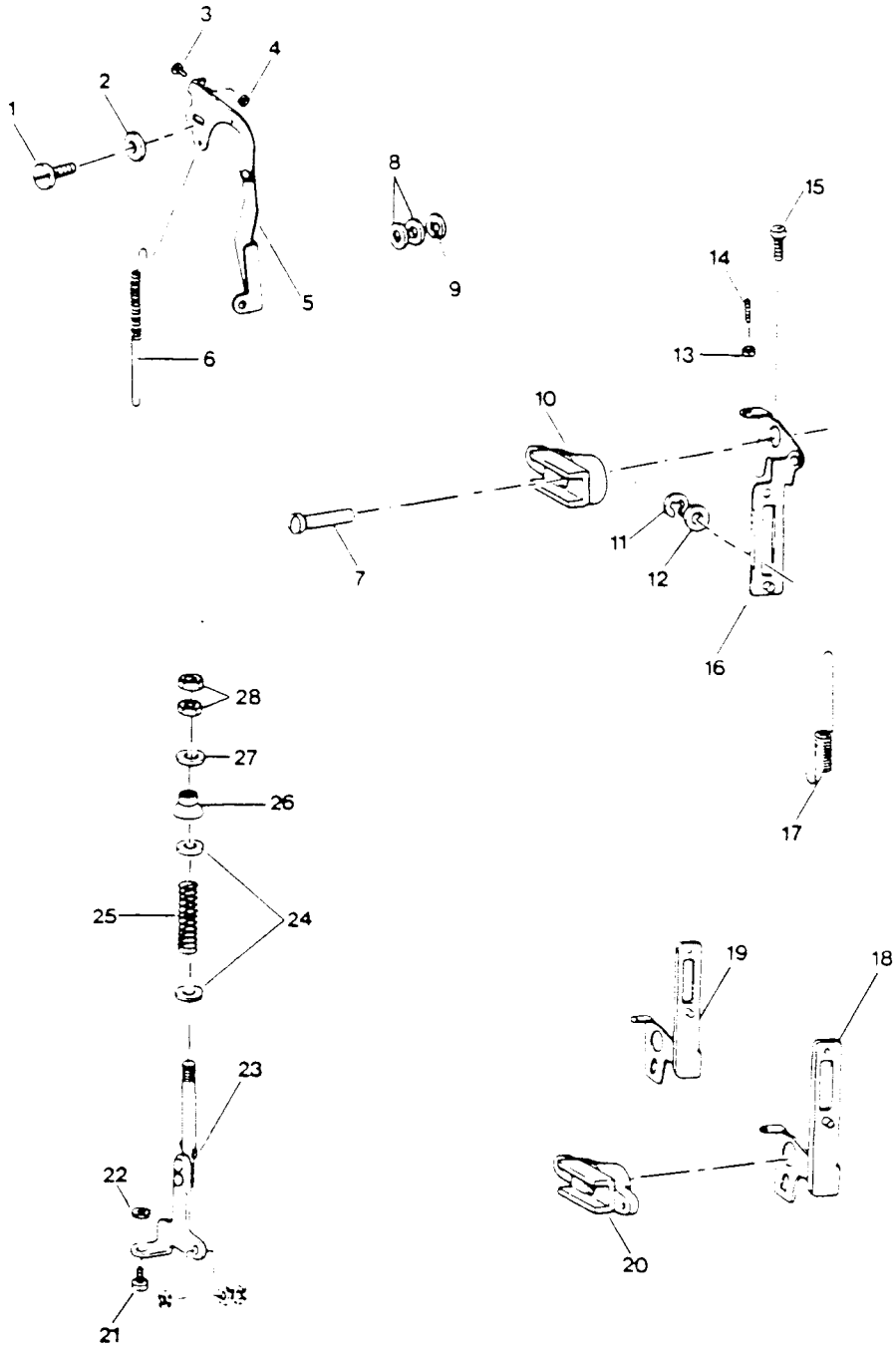
REF	PART NO.	DESCRIPTION	FEED MECHANISM (C)									
			4	4	4	4	4	4	4	4	4	4
			0	0	0	0	0	0	0	0	0	0
			0	0	0	0	1	1	1	1	1	2
			1	5	6	9	2	1	5	6	9	2
1	176950	Forked connecting rod washer	X	X	X	X	X	X	X	X	X	X
2	176951	Slide block stud	X	X	X	X	X	X	X	X	X	X
3	176952	Forked connecting rod						X	X	X	X	X
4	176953	Slide block	X	X	X	X	X	X	X	X	X	X
5	176954	Slide block assembly	X	X	X	X	X	X	X	X	X	X
6	176955	Crank rod stud	X	X	X	X	X	X	X	X	X	X
7	176689	Crank rod stud retaining ring	X	X	X	X	X	X	X	X	X	X
8	176956	Forked connecting rod	X	X	X	X	X					
9	176957	Crank rod washer (2)	X	X	X	X	X	X	X	X	X	X
10	176958	Crank rod set screw (2)	X	X	X	X	X	X	X	X	X	X
11	176959	Crank rod						X	X	X	X	X
12	176961	Crank rod	X	X	X	X	X					
13	176960	Crank rod assembly	X	X	X	X	X					
14	176962	Crank rod assembly						X	X	X	X	X
15	176963	Lever adjusting screw		X	X	X	X		X	X	X	X
16	176964	Feed regulation lever spring			X	X	X			X	X	X
16	176965	Feed regulation lever spring		X					X			
17	176966	Feed regulation lever		X	X	X	X		X	X	X	X
17	176967	Z selecting lever			X	X	X			X	X	X
18	176968	Lever adjusting screw nut			X	X	X			X	X	X
19	176969	Feed regulation lever stud screw			X	X	X			X	X	X
20	176970	Feed regulation lever spring		X					X			
21	176909	Release lever shaft retaining ring (3)		X	X	X	X		X	X	X	X
22	176727	Spring	X	X	X	X	X	X	X	X	X	X
23	176725	Release lever shaft set screw	X	X	X	X	X	X	X	X	X	X
24	171871	Release lever		X	X	X	X		X	X	X	X
25	176972	Release lever shaft		X	X	X	X		X	X	X	X
26	176726	Release lever shaft	X						X			

From the library of: Diamond Needle Corp

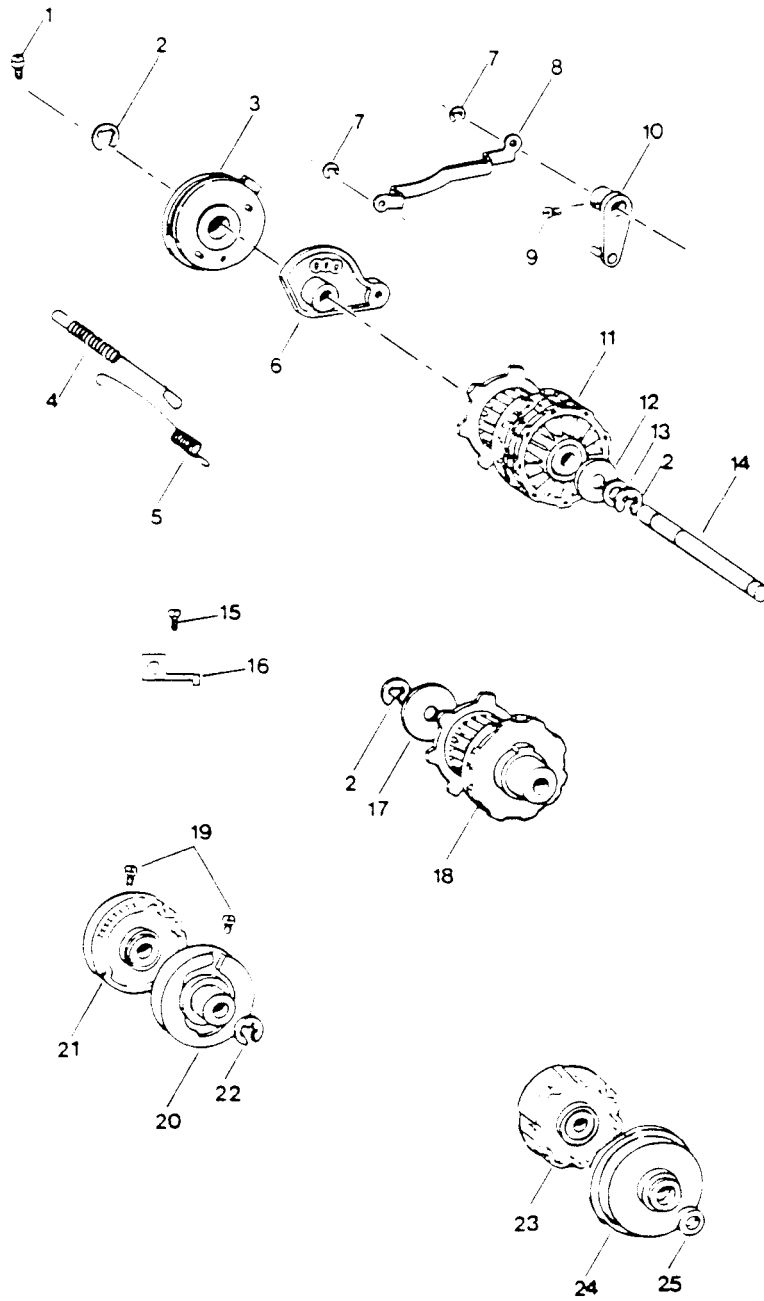




# FEED MECHANISM (D)



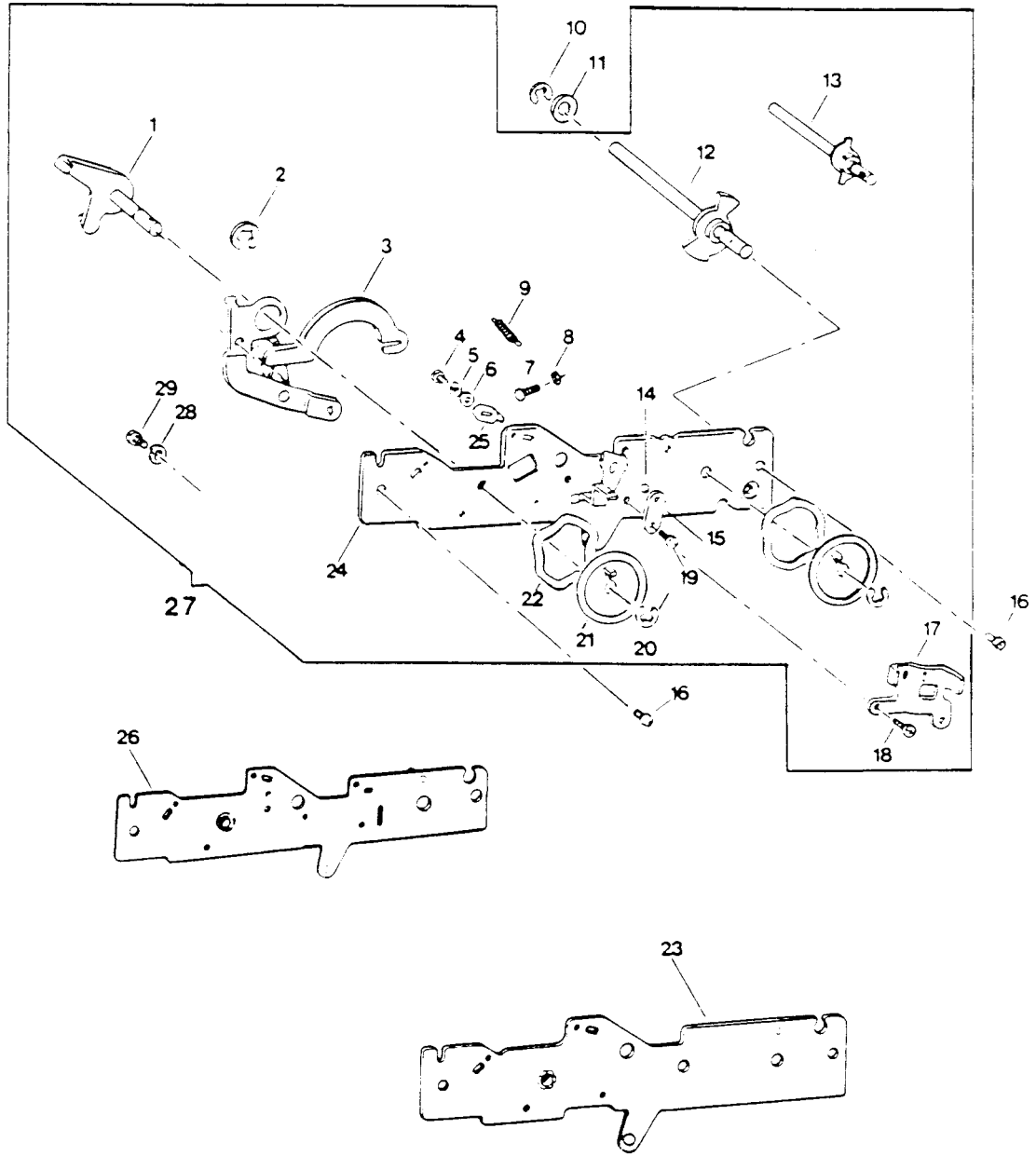
# CAM MECHANISM (A)





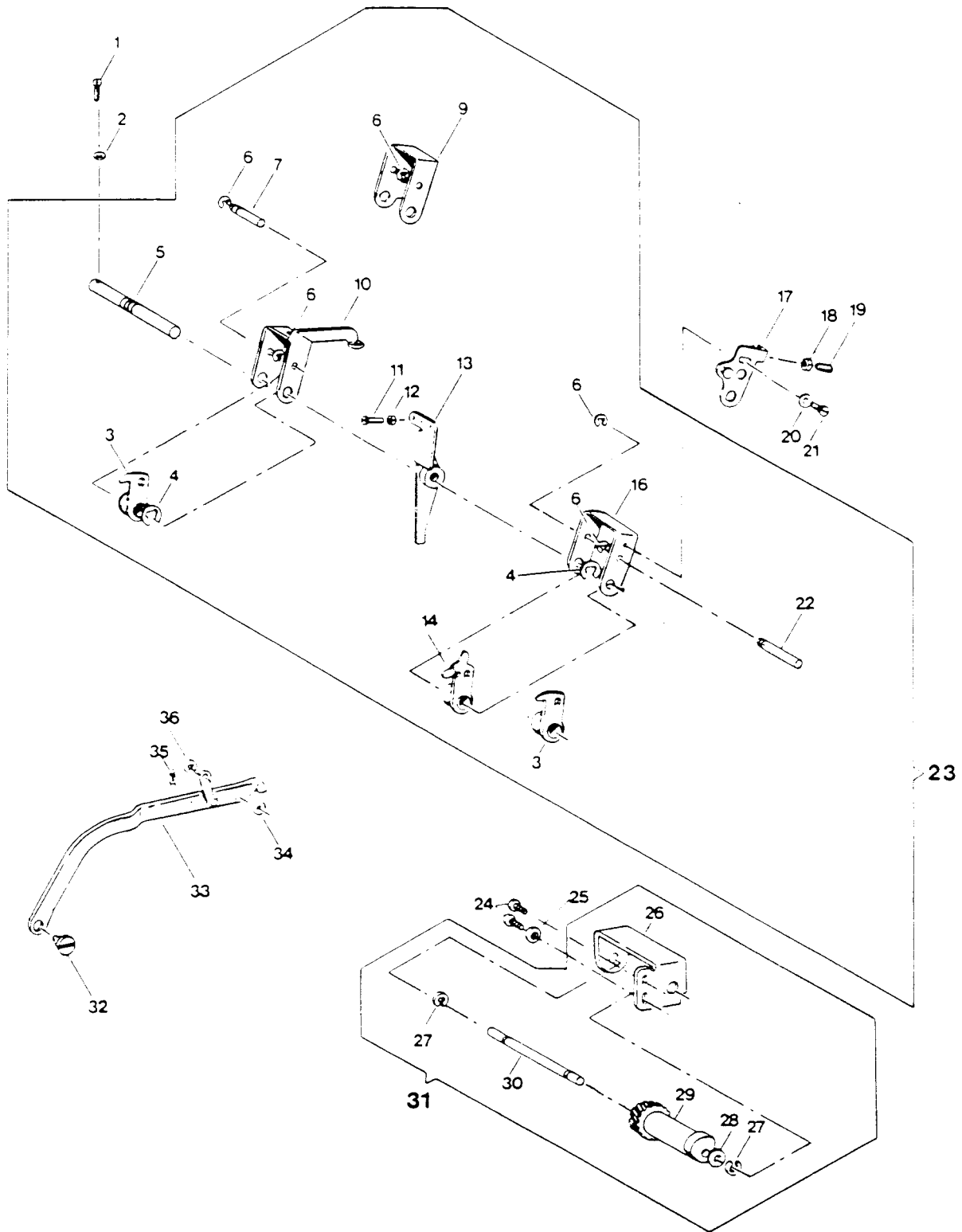
REF	PART NO.	CAM MECHANISM (B) DESCRIPTION	4	4	4	4	4	4	4	4	4	4	4
			0	0	0	0	0	0	0	0	0	0	0
			0	0	0	0	1	1	1	1	1	1	2
			1	5	6	9	2	1	5	6	9	2	
1	177351	Zig-zag adjusting lever	X	X	X	X	X	X	X	X	X	X	X
2	177018	Retaining ring	X	X	X	X	X	X	X	X	X	X	X
3	177019	Zig-zag adjusting link assembly	X					X					
3	177020	Zig-zag link assembly			X	X	X				X	X	X
3	177021	Zig-zag link assembly		X					X				
4	177022	Zig-zag width control plate mounting screw (2)	X	X	X	X	X	X	X	X	X	X	X
5	177023	Zig-zag width control plate lock washer (2)	X	X	X	X	X	X	X	X	X	X	X
6	177024	Zig-zag width control plate washer (2)	X	X	X	X	X	X	X	X	X	X	X
7	177025	Adjusting screw	X					X					
8	176976	Adjusting screw nut	X					X					
9	177389	Spring	X					X					
10	176909	Dial shaft retaining ring (2)	X		X	X	X	X		X	X	X	
11	177026	Dial shaft washer	X		X	X	X	X		X	X	X	
12	177352	Stitch regulating dial shaft			X	X	X			X	X	X	
13	177353	Stitch regulating dial shaft	X					X					
14	177029	Steel ball	X	X				X	X				
15	177030	Needle position notched spring	X	X				X	X				
16	176725	Control frame mounting screw (2)	X	X	X	X	X	X	X	X	X	X	X
17	177031	Needle position stopper	X	X				X	X				
18	177032	Position stopper mounting screw	X	X				X	X				
19	177033	Notched spring mounting screw	X	X				X	X				
20	176909	Adjusting lever retaining ring (2)	X	X	X	X	X	X	X	X	X	X	X
21	177354	Dial stopper (2)	X	X	X	X	X	X	X	X	X	X	X
22	177035	Dial stopper spring washer (2)	X	X	X	X	X	X	X	X	X	X	X
23	177037	Control frame body		X				X					
24	177036	Control frame body			X	X	X			X	X	X	
25	177038	Zig-zag width control plate (2)	X	X	X	X	X	X	X	X	X	X	X
26	177039	Control frame body	X					X					
27	177355	Frame assembly	X					X					
27	177356	Frame assembly			X	X	X			X	X	X	
27	177357	Frame assembly		X						X			
28	177043	Control frame screw washer						X	X	X	X	X	X
28	177044	Zig-zag link assembly mounting screw washer								X	X	X	
29	176921	Zig-zag link assembly mounting screw								X	X	X	

# CAM MECHANISM (B)



From the library of: Diamond Needle Corp

# CAM MECHANISM (C)



From the library of: Diamond Needle Corp

REF	PART NO.	CAM MECHANISM (C) DESCRIPTION	4	4	4	4	4	4	4	4	4	4	4	
			0	0	0	0	0	0	0	0	0	0	0	0
			0	0	0	0	1	1	1	1	1	1	2	2
			1	5	6	9	2	1	5	6	9	2		
1	177044	Finger shaft assembly mounting screw	X	X	X	X	X	X	X	X	X	X		
2	176974	Finger shaft assembly mounting screw washer	X	X	X	X	X	X	X	X	X	X		
3	177045	Finger assembly	X	X	X	X	X	X	X	X	X	X		
4	176689	Finger shaft retaining ring	X	X	X	X	X	X	X	X	X	X		
5	177046	Finger shaft	X	X	X	X	X	X	X	X	X	X		
6	176945	Frame shaft retaining ring (2)	X	X	X	X	X	X	X	X	X	X		
7	177047	Finger frame shaft	X	X	X	X	X	X	X	X	X	X		
9	177048	Finger frame	X					X						
10	177049	Finger frame		X	X	X			X	X	X			
11	177050	Release lever adjusting screw	X	X	X	X	X	X	X	X	X	X		
12	177051	Release lever adjusting screw nut	X	X	X	X	X	X	X	X	X	X		
13	177052	Release lever	X	X	X	X	X	X	X	X	X	X		
14	177053	Z finger assembly		X	X	X			X	X	X			
16	177054	Z finger frame	X	X	X	X	X	X	X	X	X	X		
17	177055	Z adjusting arm	X	X	X	X	X	X	X	X	X	X		
18	176983	Z adjusting arm adjusting screw nut	X	X	X	X	X	X	X	X	X	X		
19	176984	Z adjusting arm adjusting screw	X	X	X	X	X	X	X	X	X	X		
20	176743	Z adjusting arm mounting screw washer	X	X	X	X	X	X	X	X	X	X		
21	177056	Z adjusting arm mounting screw	X	X	X	X	X	X	X	X	X	X		
22	177057	Z finger frame shaft	X	X	X	X	X	X	X	X	X	X		
23	177058	Finger shaft assembly		X	X	X			X	X	X			
23	177059	Finger shaft assembly	X					X						
24	176717	Zig-zag cam assembly mounting screw (2)	X					X						
25	176974	Zig-zag cam assembly mounting screw washer	X					X						
26	177060	Zig-zag cam frame	X					X						
27	176909	Zig-zag cam shaft retaining ring (2)	X					X						
28	177061	Zig-zag cam shaft washer	X					X						
29	177062	Zig-zag cam	X					X						
30	177063	Zig-zag cam shaft	X					X						
31	177064	Zig-zag cam shaft assembly	X					X						
32	177065	Eccentric stud	X	X	X	X	X	X	X	X	X	X		
33	177066	Zig-zag connecting rod	X	X	X	X	X	X	X	X	X	X		
34	177067	Roller	X	X	X	X	X	X	X	X	X	X		
35	177068	Zig-zag connecting rod spring	X	X	X	X	X	X	X	X	X	X		
36	176945	Retaining ring	X	X	X	X	X	X	X	X	X	X		

From the library of: Diamond Needle Corp

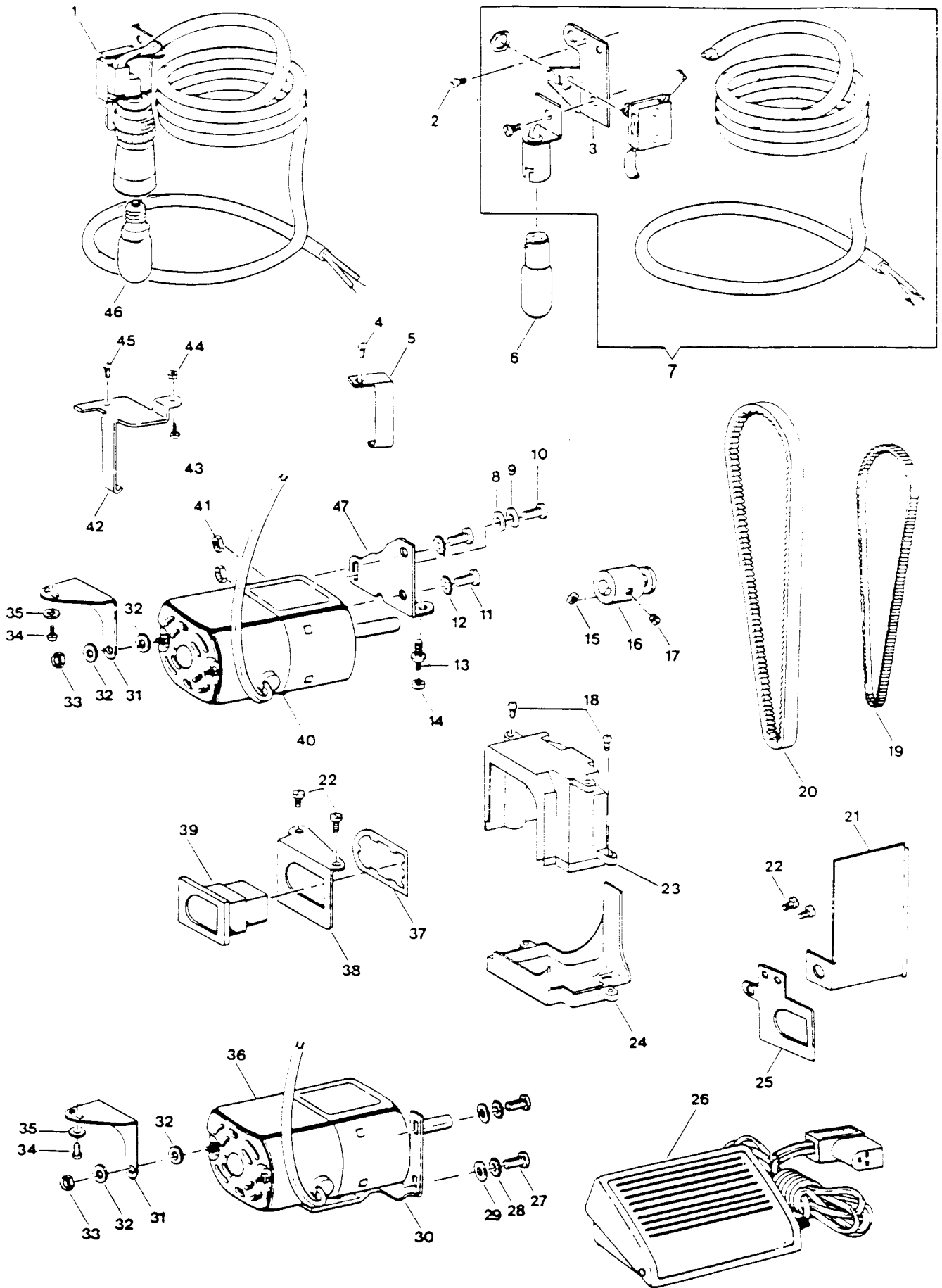


REF	PART NO.	ELECTRICAL EQUIPMENT DESCRIPTION	4	4	4	4	4	4	4	4	4	4	
			0	0	0	0	0	0	0	0	0	0	0
			0	0	0	0	1	1	1	1	1	1	2
			1	5	6	9	2	1	5	6	9	2	
1	177358	Sew light assembly-Europe (free arm)						X	X	X	X	X	
1	177360	Sew light assembly-Australia/N.Z. (free arm)						X	X	X	X	X	
2	176725	Sew light holder set screw	X	X	X	X	X	X	X	X	X	X	
3	177361	Sew light holder (UL/CSA)	X	X	X	X	X	X	X	X	X	X	
4	176717	Cord guide plate set screw	X	X	X	X	X	X	X	X	X	X	
5	177072	Cord guide plate	X	X	X	X	X	X	X	X	X	X	
6	177073	Sew lamp (120V)	X	X	X	X	X	X	X	X	X	X	
7	177359	Sew light assembly-UL/CSA (free arm)						X	X	X	X	X	
8	177077	Motor mounting bracket screw washer (right)	X	X	X	X	X						
9	177076	Motor mounting bracket screw star washer (right)	X	X	X	X	X						
10	177075	Motor mounting bracket screw	X	X	X	X	X						
11	177078	Motor mounting bracket screw	X	X	X	X	X						
12	177079	Motor mounting bracket star washer	X	X	X	X	X						
13	177080	Motor adjusting stud	X	X	X	X	X						
14	177081	Motor adjusting stud nut	X	X	X	X	X						
15	177082	Pulley (belt) set nut	X	X	X	X	X	X	X	X	X	X	
16	177083	Pulley (belt)	X	X	X	X	X	X	X	X	X	X	
17	177084	Pulley set screw	X	X	X	X	X	X	X	X	X	X	
18	177085	Receptacle plug housing set screw (2)	X	X	X	X	X						
19	177086	Motor belt (flat bed)	X	X	X	X	X						
20	177087	Motor belt (free arm)						X	X	X	X	X	
21	177109	Cord guard (UL/CSA)	X	X	X	X	X	X	X	X	X	X	
22	177088	Receptacle plug mounting bracket screws (2)	X	X	X	X	X	X	X	X	X	X	
23	177089	Receptacle plug upper housing	X	X	X	X	X						
24	177090	Receptacle plug lower housing	X	X	X	X	X						
25	177091	Receptacle plug mounting bracket						X	X	X	X	X	
26	171893	Controller complete (220V SCR)										X	
26	177092	Controller complete (120V)	X	X	X	X	X	X	X	X	X	X	
26	177362	Controller complete (Europe)	X	X	X	X	X	X	X	X	X	X	
26	177363	Controller complete (UK)	X	X	X	X	X	X	X	X	X	X	
26	177364	Controller complete (Australia)	X	X	X	X	X	X	X	X	X	X	
27	176732	Motor mounting bracket (right) mounting screw (2)						X	X	X	X	X	
28	177079	Motor mounting bracket screw star washer (2)						X	X	X	X	X	
29	176943	Motor mounting bracket (right) mounting screw washer (2)						X	X	X	X	X	
30	177093	Motor mounting bracket (right)						X	X	X	X	X	
31	177094	Motor mounting bracket (left)	X	X	X	X	X	X	X	X	X	X	
32	177095	Motor mounting bracket (left) washer (2)	X	X	X	X	X	X	X	X	X	X	
33	177096	Motor mounting bracket (left) retaining nut	X	X	X	X	X	X	X	X	X	X	
34	177097	Motor mounting bracket (left) mounting screw	X	X	X	X	X	X	X	X	X	X	
35	177098	Motor mounting bracket (left) mounting screw washer	X	X	X	X	X	X	X	X	X	X	
36	171892	Motor 220V SCR										X	
36	177103	Motor 220V free arm						X	X	X	X	X	
36	177103-002	Motor 240V free arm						X	X	X	X	X	
36	177099	Motor 120V free arm						X	X	X	X	X	
37	177100	Receptacle plug retaining plate	X	X	X	X	X	X	X	X	X	X	
38	177101	Receptacle plug mounting bracket	X	X	X	X	X						
39	177102	Receptacle plug	X	X	X	X	X	X	X	X	X	X	
40	177103-003	Motor 220V flat bed	X	X	X	X	X						
40	177103-001	Motor 240V flat bed	X	X	X	X	X						

From the library of: Diamond Needle Corp



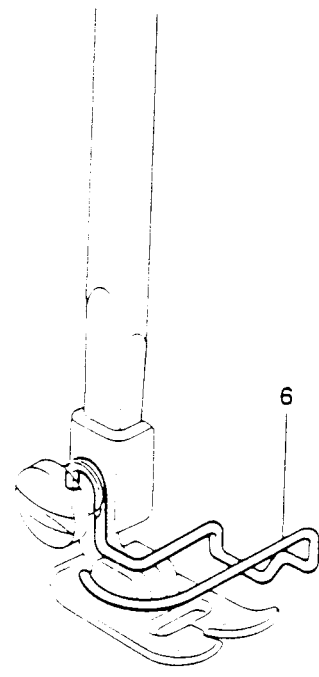
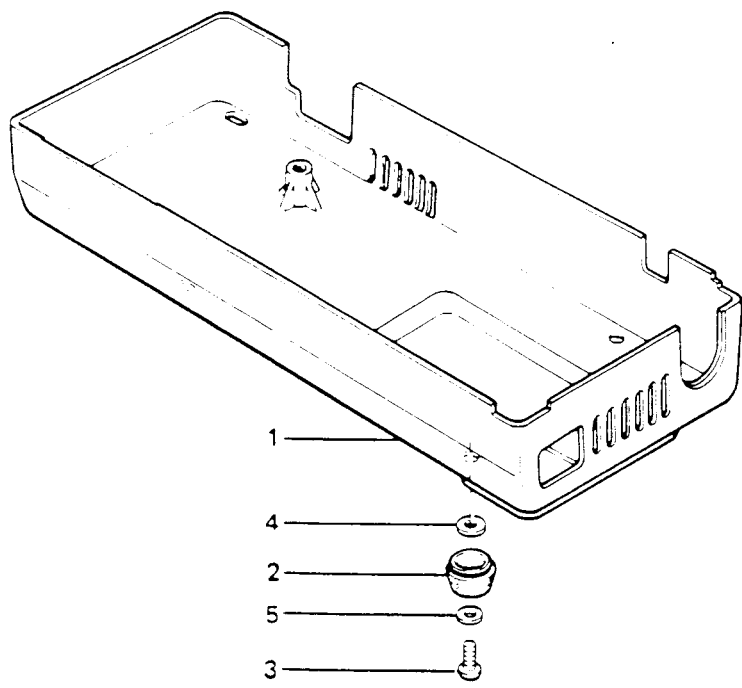
# ELECTRICAL EQUIPMENT (CONT.)







# OPTIONAL PARTS



From the library of: Diamond Needle Corp